



Fronius KASAMAS Speedglas parweld SOLTER Kjellberg

Ádám és Ádám Kft

HEGESZTÉSTECHNIKA
FÉMSZÓRÁSTECHNIKA

Székhely: 4400 Nyíregyháza, Ószőlő út 99. Telephely: 4400 Nyíregyháza, Rákóczi út 102.
Tel.: +36 42 504-093, +36 42 504-094, +36 20 9449-003, +36 20 9555-417 Fax.: +36 42 504-095
E-mail: info@adam-adam.hu Weblap: www.adam-adam.hu Webshop: shop.adam-adam.hu

TTW 3000A

TTW 3000A F

DE

Ersatzteilliste

WIG-Handsweißbrenner

EN

Spare Parts List

TIG Manual welding torch

FR

Liste de pièces de rechange
chalumeau manuelle TIG

IT

Lista parti di ricambio
cannello di saldatura WIG

ES

Lista de repuestos
Soplete para soldadura manual
TIG

PT-BR

Lista de peças sobresselentes
Queimador de soldadura MIG

www.fronius-hegesztogep.com

Ádám és Ádám Kft

4400 Nyíregyháza, Rákóczi út 102

Tel.: +36 42 504 093 +36 20 9449 003

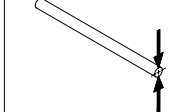
4,035,752 TTW3000A F++ / 4m / 13,1ft
 4,035,753 TTW3000A F++ / 8m / 26,2ft

 4,035,758 TTW3000A F++ / UD / 4m / 13,1ft
 4,035,759 TTW3000A F++ / UD / 8m / 26,2ft
 4,035,768 TTW3000A F++ / UD / Le / 4m / 13,1ft
 4,035,769 TTW3000A F++ / UD / Le / 8m / 26,2ft

 4,035,770 TTW3000A F++ / JM / Le / 4m / 13,1ft
 4,035,771 TTW3000A F++ / JM / Le / 8m / 26,2ft

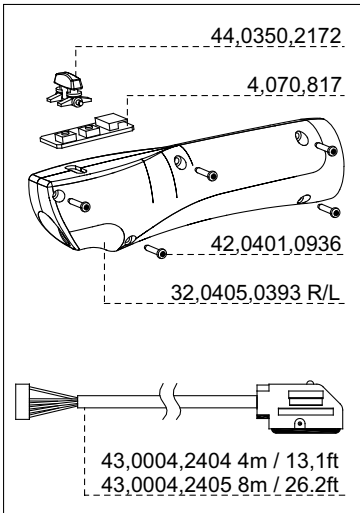
 4,035,754 TTW3000A F/F++ / UD / 4m / 13,1ft
 4,035,755 TTW3000A F/F++ / UD / 8m / 26,2ft

 4,035,772 TTW3000A F/F++ / JM / Le / 4m / 13,1ft
 4,035,773 TTW3000A F/F++ / JM / Le / 8m / 26,2ft

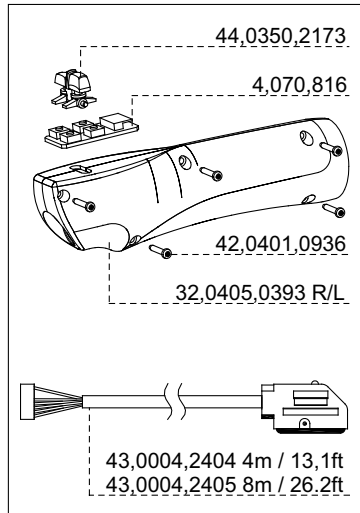
	Ø mm	Ø inch
	1,0-3,2	0,039-0,126



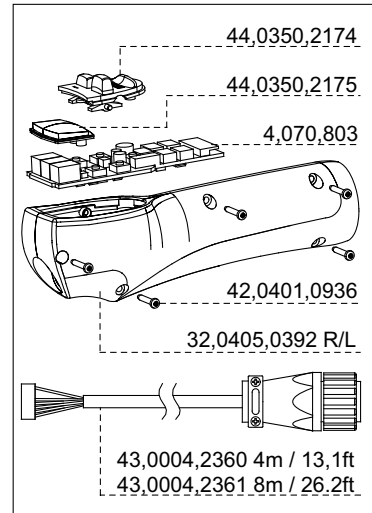
STANDARD



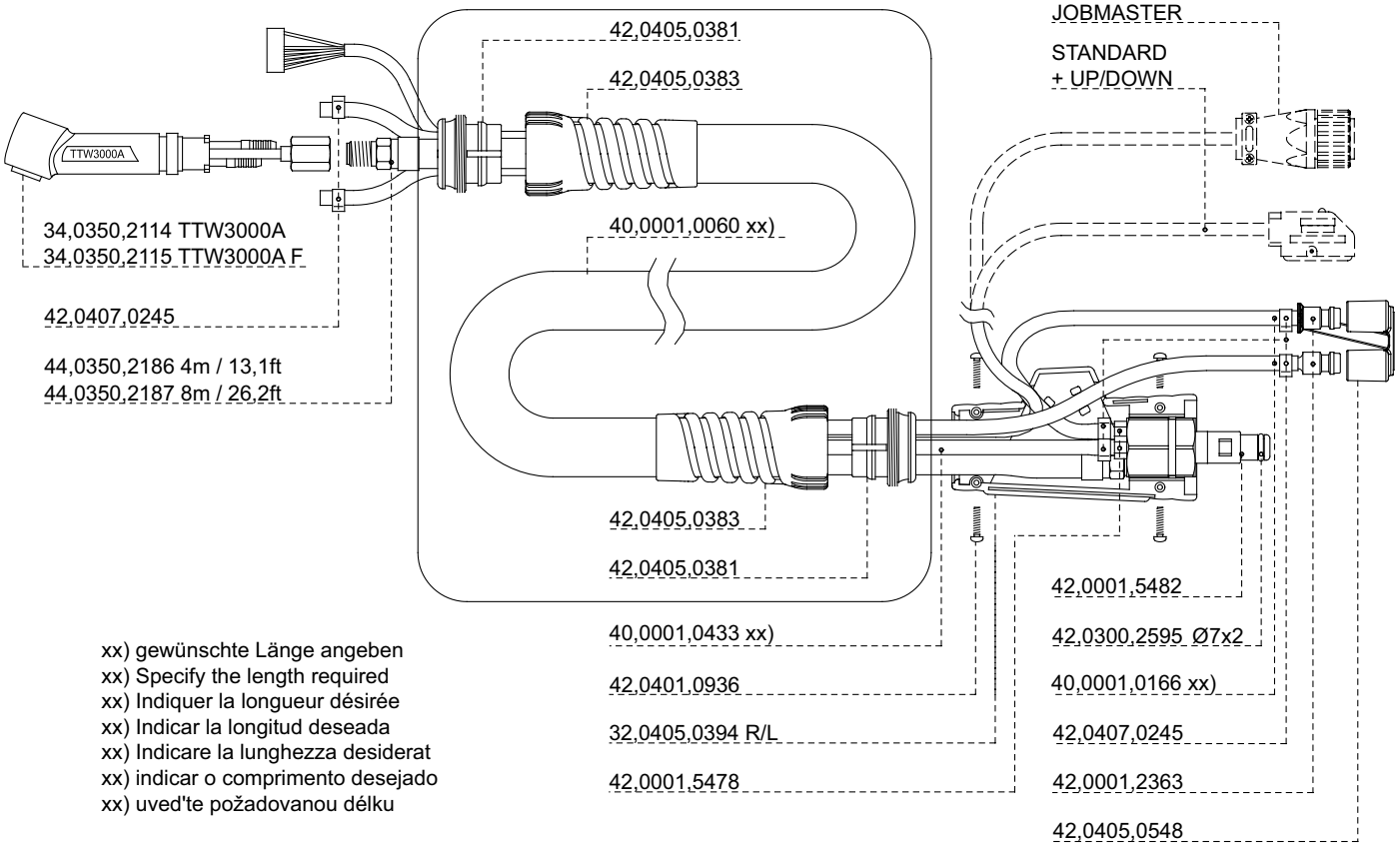
UP/DOWN



JOBMASTER

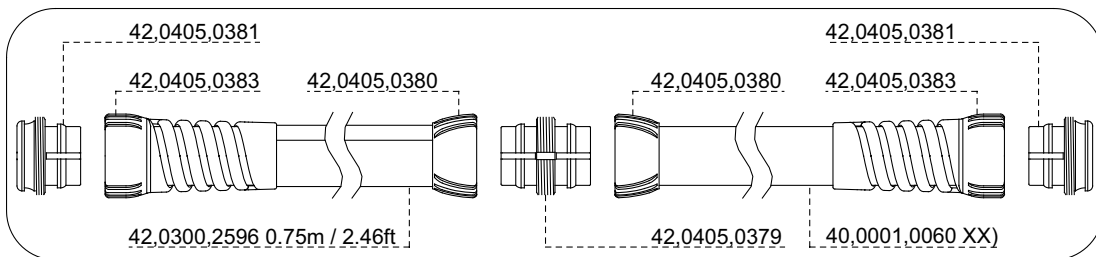


44,0350,2176 4m / 13,1ft / 44,0350,2177 8m / 26,2ft



xx) gewünschte Länge angeben
xx) Specify the length required
xx) Indiquer la longueur désirée
xx) Indicar la longitud deseada
xx) Indicare la lunghezza desiderata
xx) indicar o comprimento desejado
xx) uved'te požadovanou délku

OPTION - Leder / Leather / Cuir
44,0350,2180 4m / 13,1ft / 44,0350,2181 8m / 26,2ft

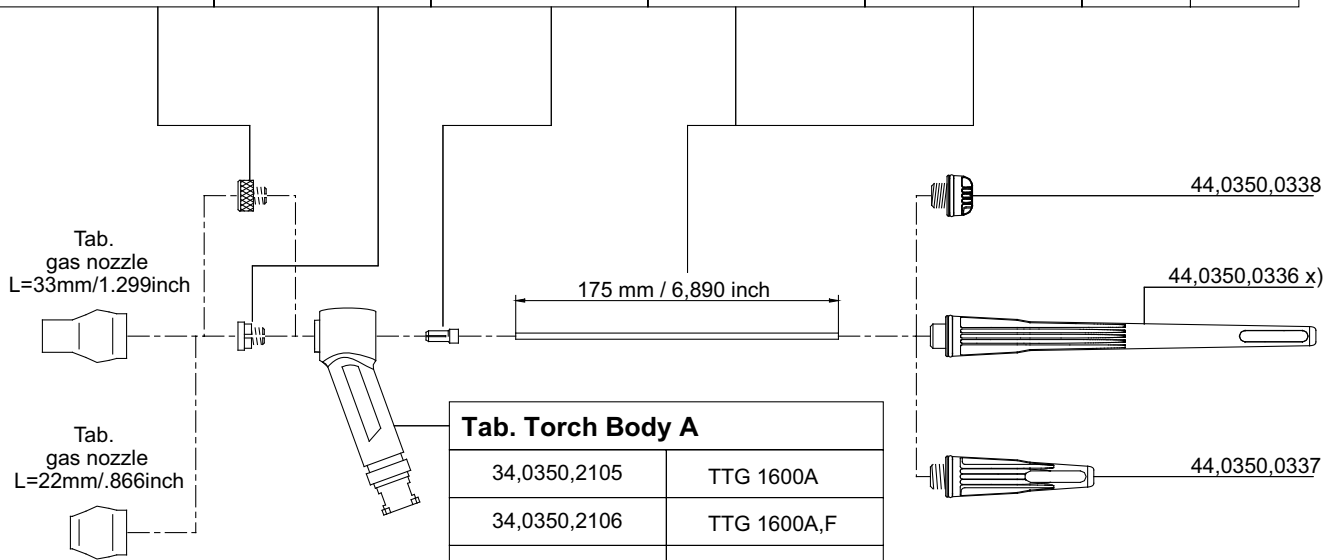


TTW3000AF++/UD/JM/Le, TTW3000AFF++/JM/Le

Ersatzteilliste / Spare parts list / Listes de pièces de rechange / Lista de repuestos / Lista de peças sobresselentes / Lista dei Ricambi

A-System

Part No. gas lens	Part No. clamping nut	Part No. collet	Part No. electrode WC20	Part No. electrode WP	Electrode Ø	
					Ø mm	Ø inch
44,0350,1500	42,0001,0692	42,0001,1148	42,0411,4012		1,0	.039
44,0350,1501	42,0001,0693	42,0001,1149	42,0411,4001	42,0411,4008	1,6	.063
44,0350,1460	42,0001,0694 x)	42,0001,1150 x)	42,0411,4002 x)	42,0411,4005	2,4	.094
44,0350,1461	42,0001,0695	42,0001,1151	42,0411,4003	42,0411,4006	3,2	.126



Tab. Torch Body A	
34,0350,2105	TTG 1600A
34,0350,2106	TTG 1600A,F
44,0350,2546	TTW 2500A
44,0350,2547	TTW 2500A,F
34,0350,2114	TTW 3000A
34,0350,2115	TTW 3000A,F
44,0350,2893	TTG 1200A
44,0350,2911	TTG 1200A,F

- x) Standardausrüstung
- x) standard equipment
- x) équipement standard
- x) equipamiento estándar
- x) accessori standard
- x) equipamento de série

gas nozzle ceramic plugable L=33mm/1.299inch	Part No.	gas nozzle ceramic plugable L=22mm/.866inch	Part No.	d1		d2	
				mm	inch	mm	inch
	42,0300,0820		42,0300,0816	6,35	.250	20,8	.819
	42,0300,0821		42,0300,0817	8,0	.315	20,8	.819
	42,0300,0822 x)		42,0300,0818	9,5	.374	20,8	.819
	42,0300,0823		42,0300,0819	11,1	.437	20,8	.819



Wearing parts TTG 1600 / 1200 TTW 2500 / 3000 A F

Ersatzteilliste / Spare parts list / Listes de pièces de rechange / Lista de repuestos / Lista de peças sobresselentes / Lista dei Ricambi

www.fronius-hegesztogep.com

Ádám és Ádám Kft
4400 Nyíregyháza, Rákóczi út 102
Tel.: +36 42 504 093 +36 20 9449 003



FRONIUS INTERNATIONAL GMBH
Froniusplatz 1, A-4600 Wels, Austria
Tel: +43 (0)7242 241-0, Fax: +43 (0)7242 241-3940